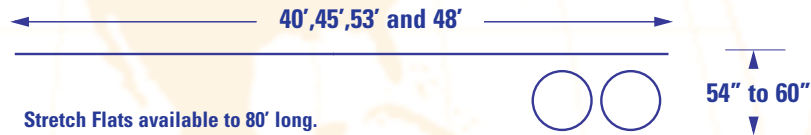


Heavy and Specialized Trailers: Generic Specification

The following specifications and nomenclature are the more common specialized trailers. There are trailers available that do not fall within the range of these dimensions; consult our office if required. Assume trailers below have 8' or 8'6" wide decks.

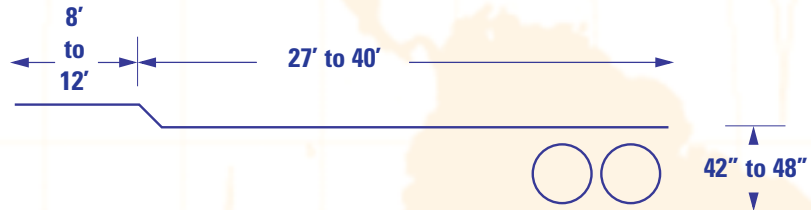
Flat Bed

Also High Flat, Platform, Standard Flat, etc.



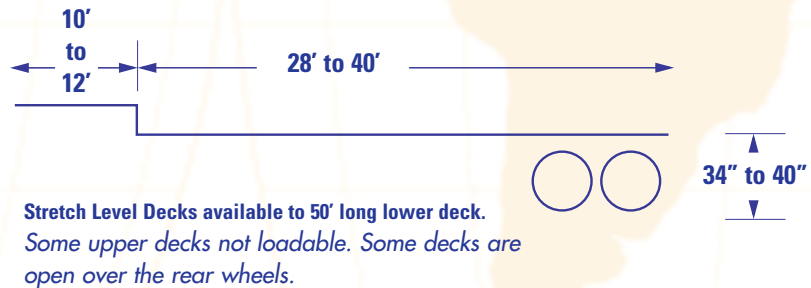
Step Deck

Also Drop Deck, Drop Flat, Low Flat, Drop Frame, etc.



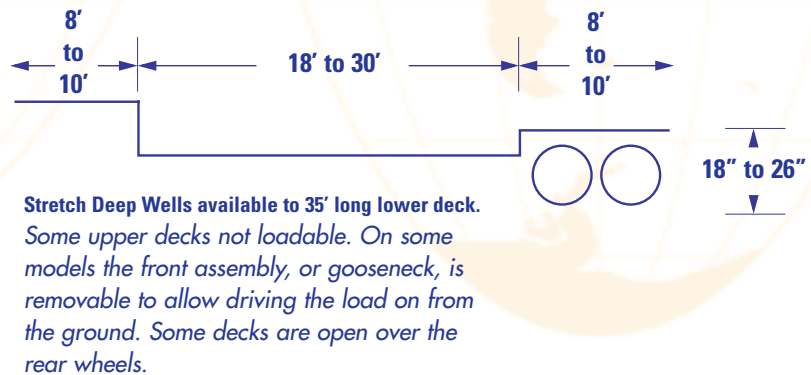
Level Deck Low Bed

Also Low Boy, Drop Frame, Low Bed, etc.



Deep Well Low Bed

Also Low Boy, Double Drop Low Bed, Gondola, Drop Center, etc.



The overall legal height of the trailer plus load is 13'6" in most states. Loads higher require permits and, in most cases, flagmen.

